

**DUAL ASYNCHRONOUS RECEIVER/TRANSMITTER**

- TWO INDEPENDENT FULL-DUPLEX CHANNELS WITH SEPARATE MODEM CONTROLS. MODEM STATUS CAN BE MONITORED
- RECEIVER DATA REGISTERS ARE QUADRUPLY BUFFERED ; THE TRANSMITTER IS DOUBLY BUFFERED
- INTERRUPT FEATURES INCLUDE A PROGRAMMABLE INTERRUPT VECTOR, A "STATUS AFFECTS VECTOR" MODE FOR FAST INTERRUPT PROCESSING, AND THE STANDARD Z80 PERIPHERAL DAISY-CHAIN INTERRUPT STRUCTURE THAT PROVIDES AUTOMATIC INTERRUPT VECTORING WITH NO EXTERNAL LOGIC
- IN x1 CLOCK MODE, DATA RATES ARE 0 TO 500K BITS/SECOND WITH A 2.5MHz CLOCK, OR 0 TO 800K BITS/SECOND WITH A 4.0MHz CLOCK, OR 0 TO 1200K BIT/SECOND WITH A 6.0MHz CLOCK
- PROGRAMMABLE OPTIONS INCLUDE 1, 1 1/2 OR 2 STOP BITS ; EVEN, ODD OR NO PARITY ; AND x1, x16, x32 AND x64 CLOCK MODES
- BREAK GENERATION AND DETECTION AS WELL AS PARITY-, OVERRUN- AND FRAMING-ERROR DETECTION ARE AVAILABLE

**DESCRIPTION**

The Z80 DART (Dual-Channel Asynchronous Receiver/Transmitter) is a dual-channel multi-function peripheral component that satisfies a wide variety of asynchronous serial data communications requirements in microcomputer systems. The Z80 DART is used as a serial-to-parallel, parallel-to-serial converter/controller in asynchronous applications. In addition, the device also provides modem controls for both channels. In applications where modem controls are not needed, these lines can be used for general-purpose I/O.

The Z80 SIO, a more versatile device, provides synchronous (Bisync, HDLC and SDLC) as well as asynchronous operation.

The Z80 DART is fabricated with n-channel silicon-gate depletion-load technology, and is packaged in a 40 pin plastic or ceramic DIP.

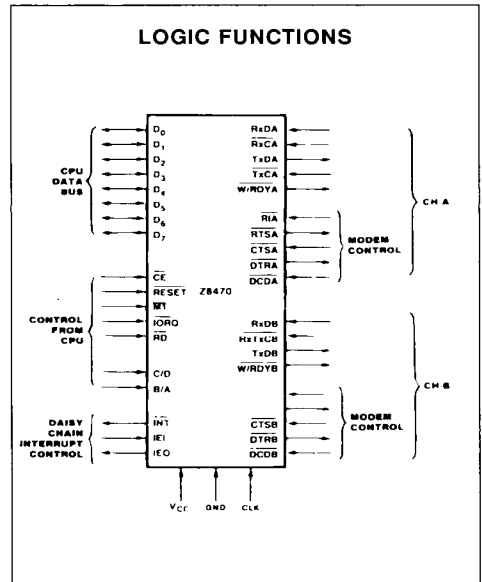
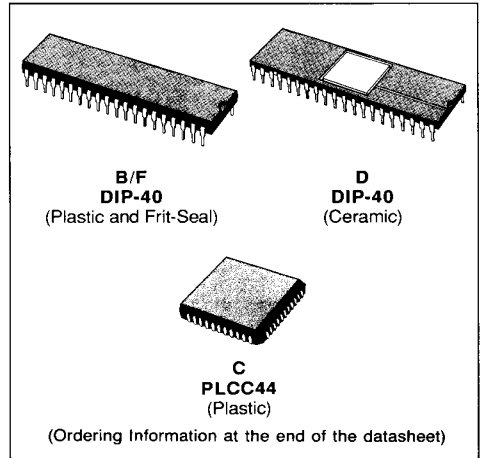


Figure 1 : Dual in line Configuration.

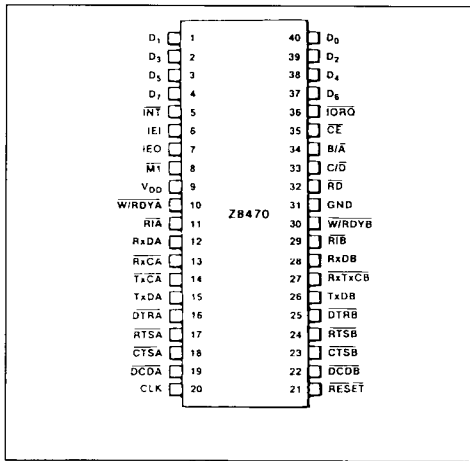
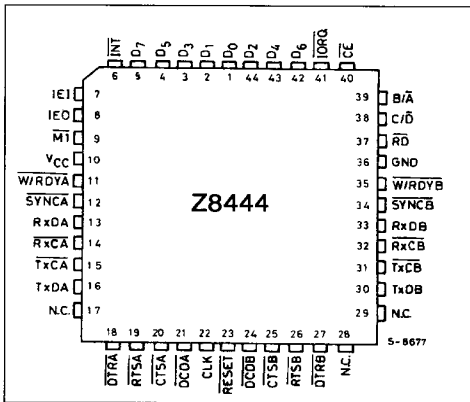


Figure 2 : Chip Carrier Pin Configuration.



Note : NC = No Connection  
Z80 SIO-0 or Dart in Asynchronous Mode.

**PIN DESCRIPTIONS**

**B/A.** Channel A Or B Select (Input, High Selects Channel B). This input defines which channel is accessed during a data transfer between the CPU and the Z80 DART.

**C/D.** Control Or Data Select (Input, High Selects Control). This input specifies the type of information (control or data) transferred on the data bus between the CPU and the Z80 DART.

**CE.** Chip Enable (Input, Active Low). A Low at this input enables the Z80 DART to accept command or data input from the CPU during a write cycle, or to transmit data to the CPU during a read cycle.

**CLK.** System Clock (Input). The Z80 DART uses the standard Z80 single-phase system clock to synchronize internal signals.

**CTS A, CTS B.** Clear To Send (Inputs, Active Low). When programmed as Auto Enables, a Low on these inputs enables the respective transmitter. If not programmed as Auto Enables, these inputs may be programmed as general-purpose inputs. Both inputs are Schmitt-trigger buffered to accommodate slow-risetime signals.

**D0-D7.** System Data Bus (Bidirectional, 3-state) transfers data and commands between the CPU and the Z80 DART.

**DCDA, DCDB.** Data Carrier Detect (Inputs, Active Low). These pins function as receiver enables if the Z80 DART is programmed for Auto Enables ; otherwise they may be used as general-purpose input pins. Both pins are Schmitt-trigger buffered.

**DTRA, DTRB.** Data Terminal Ready (Outputs, Active Low). These outputs follow the state programmed into the DTR bit. They can also be programmed as general-purpose outputs.

**IEI.** Interrupt Enable In (Input, Active High) is used with IEO to form a priority daisy chain when there is more than one interrupt-driven device. A High on this line indicates that no other device of higher priority is being serviced by a CPU interrupt service routine.

**IEO.** Interrupt Enable Out (Output, Active High). IEO is High only if IEI is High and the CPU is not servicing an interrupt from this Z80 DART. Thus, this signal blocks lower priority devices from interrupting while a higher priority device is being serviced by its CPU interrupt service routine.

**INT.** Interrupt Request (Output, Open Drain, Active Low). When the Z80 DART is requesting an interrupt, it pulls INT Low.

**M1.** Machine Cycle One (Input from Z80 CPU, Active Low). When M1 and RD are both active, the Z80 CPU is fetching an instruction from memory ; when M1 is active while IORQ is active, the Z80 DART accepts M1 and IORQ as an interrupt acknowledge if the Z80 DART is the highest priority device that has interrupted the Z80 CPU.

**IORQ.** Input/Output Request (Input from CPU, Active Low). IORQ is used in conjunction with B/A, C/D, CE and RD to transfer commands and data between the CPU and the Z80 DART. When CE, RD and

**IORQ** are all active, the channel selected by B/A transfers data to the CPU (a read operation). When CE and IORQ are active, but RD is inactive, the channel selected by B/A is written to by the CPU with either data or control information as specified by C/D.

**RxCA, RxCB.** *Receiver Clocks (Inputs).* Receive data is sampled on the rising edge of RxC. The Receive Clocks may be 1, 16, 32 or 64 times the data rate.

**RD.** *Read Cycle Status* (Input from CPU, Active Low). If RD is active, a memory or I/O read operation is in progress.

**RxDA, RxDB.** *Receive Data* (Inputs, Active High).

**RESET.** *Reset* (Input, Active Low). Disables both receivers and transmitters, forces TxDA and TxDB marking, forces the modem controls High and disables all interrupts.

**RIA, RIB.** *Ring Indicator* (Inputs, Active Low). These inputs are similar to CTS and DCD. The Z80 DART detects both logic level transitions and interrupts the CPU. When not used in switched-line applications, these inputs can be used as general-purpose inputs.

**RTSA, RTSB.** *Request to Send* (Outputs, Active Low). When the RTS bit is set, the RTS output goes Low. When the RTS bit is reset, the output goes High after the transmitter empties.

**TxCA, TxCB.** *Transmitter Clocks* (Inputs). TxD changes on the falling edge of TxC. The Transmitter Clocks may be 1, 16, 32 or 64 times the data rate; however, the clock multiplier for the transmitter and the receiver must be the same. The Transmitt Clock inputs are Schmitt-triggered buffered. Both the Receiver and Transmitter Clocks may be driven by the Z80 CTC Counter Time Circuit for programmable baud rate generation.

**TxDA, TxDB.** *Transmitt Data* (Outputs, Active High).

**WRDYA, WRDYB.** *Wait/Ready* (Outputs, open drain when programmed for Wait function, driven High and Low when programmed for Ready function). These dual-purpose outputs may be programmed as Ready lines for a DMA controller or as Wait lines that synchronize the CPU to the Z80 DART data rate. The reset state is open drain.

## FUNCTIONAL DESCRIPTION

The functional capabilities of the Z80 DART can be described from two different points of view: as a data communication device, it transmits and receives serial data, and meets the requirements of asynchronous data communication protocols; as a Z80 family peripheral, it interacts with the Z80 CPU and other Z80 peripheral circuits, and shares the data, address and control buses, as well as being a part of the Z80 interrupt structure. As a peripheral to other microprocessors, the Z80 DART offers valuable features such as non-vectored interrupts, polling and simple hand-shake capability.

The first part of the following functional description introduces Z80 DART data communications capabilities; the second part describes the interaction between the CPU and the Z80 DART.

The Z80 DART offers RS-232 serial communications support by providing device signals for external modem control. In addition to dual-channel Request To Send, Clear To Send, and Data Carrier Detect ports, the Z80 DART also features a dual channel Ring Indicator (RIA, RIB) input to facilitate local/remote or station-to-station communication capability.

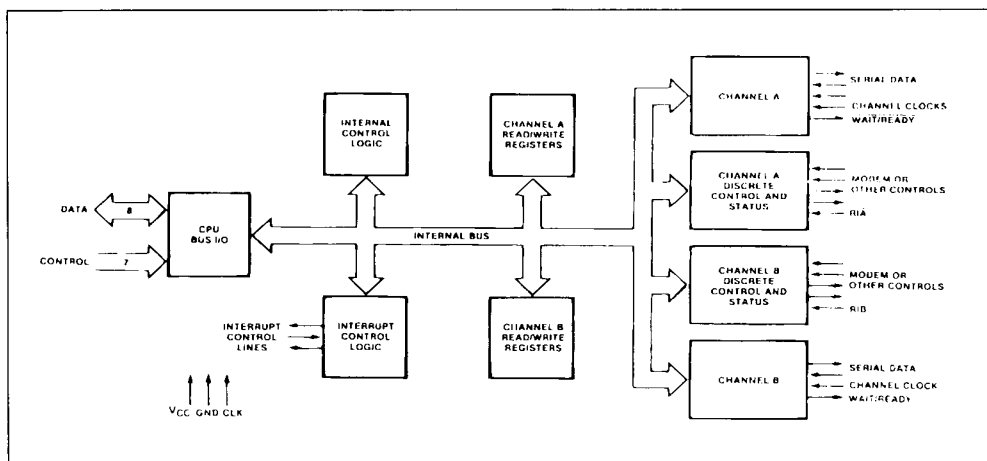
## COMMUNICATIONS CAPABILITIES.

The Z80 DART provides two independent full-duplex channels receiver/transmitter. The following is a short description of receiver/transmitter capabilities. For more details, refer to the Asynchronous Mode section of the Z80 *Family Technical Manual*. The Z80 DART offers transmission and reception of five to eight bits per character, plus optional even or odd parity.

The transmitter can supply one, one and a half or two stop bits per character and can provide a break output at any time. The receiver break detection logic interrupts the CPU both at the start and end of a received break. Reception is protected from spikes by a transient spike rejection mechanism that checks the signal one-half a bit time after a Low level is detected on the Receive Data input. If the Low does not persist (as in the case of a transient) the character assembly process is not started.

Framing errors and overrun errors are detected and buffered together with the character on which they occurred. Vectored interrupts allow fast servicing of interrupting conditions using dedicated routines.

Figure 3 : Block Diagram.



Furthermore, a built-in checking process avoids interpreting a framing error as a new start bit : a framing error results in the addition of one-half a bit time to the point at which the search for the next start bit is begun.

The Z80 DART does not require symmetric Transmit and Receive Clock signals—a feature that allows it to be used with a Z80 CTC or any other clock source. The transmitter and receiver can handle data at a rate of 1, 1/16, 1/32 or 1/64 of the clock rate supplied to the Receive and Transmit Clock inputs. When using Channel B, the bit rates for transmit and receive operations must be the same because RxC and TxC are bonded together (RxTxCB).

#### I/O INTERFACE CAPABILITIES

The Z80 DART offers the choice of Polling, Interrupt (vectored or non-vectored) and Block Transfer modes to transfer data, status and control information to and from the CPU. The Block Transfer mode can be implemented under CPU or DMA control.

#### POLLING

There are no interrupts in the Polled mode. Status registers RR0 and RR1 are updated at appropriate times for each function being performed. All the interrupt modes or the Z80 DART must be disabled to operate the device in a polled environment.

While in its Polling sequence, the CPU examines the status contained in RR0 for each channel ; the RR0 status bits serve as an acknowledgment to the Poll inquiry. The two RR0 status bits D<sub>0</sub> and D<sub>2</sub> indicate that a data transfer is needed. The status also indi-

cates Error or other special status conditions (see "Z80 DART Programming"). The Special receive Condition status contained in RR1 does not have to be read in a Polling sequence because the status bits in RR1 are accompanied by a Receive Character Available status in RR0.

#### INTERRUPTS

The Z80 DART offers an elaborate interrupts scheme that provides fast interrupt response in real-time applications. As a member of the Z80 family, the Z80 DART can be daisy-chained along with other Z80 peripherals or peripheral interrupt-priority resolution. In addition, the internal interrupts of the Z80 DART are nested to prioritize the various interrupts generated by Channels A and B. Channel B registers WR2 and RR2 contain the interrupt vector that points to an interrupt service routine in the memory. To eliminate the necessity of writing a status analysis routine, the Z80 DART can modify the interrupt vector in RR2 so it points directly to one of eight interrupt service routines. This is done under program control by setting a program bit (WR1, D<sub>2</sub>) in Channel B called "Status Affects Vector". When this bit is set the interrupt vector in RR2 is modified according to the assigned priority of the various interrupting conditions.

Transmit interrupts, Receive interrupts and External/Status interrupts are the main sources of interrupts. Each interrupt source is enabled under program control with Channel A having a higher priority than Channel B, and with Receiver, Transmit and External/Status interrupts prioritized in that order within each channel. When the Transmit inter-

rpt is enabled, the CPU is interrupted by the transmit buffer becoming empty. (This implies that the transmitter must have had a data character written into it so it can become empty). When enabled, the receiver can interrupt the CPU in one of three ways :

- Interrupt on the first received character
- Interrupt on all received characters
- Interrupt on a Special Receive condition

Interrupt On First Character is typically used with the Block Transfer mode. Interrupt On All Receive Characters can optionally modify the interrupt vector in the event of a parity error. The Special Receive Condition interrupt can occur on a character basis. The Special Receive condition can cause an interrupt only if the Interrupt On First Receive Character or Interrupt On All Receive Character mode is selected. In Interrupt On First Receive Character, an interrupt can occur from Special Receive conditions (except Parity Error) after the first receive character interrupt (example : Receive Overrun interrupt).

The main function of the External/Status interrupt is to monitor the signal transitions of the CTS, DCD and RI pins ; however, an External/Status interrupt is also caused by the detection of a Break sequence in the data stream. The interrupt caused by the Break sequence has a special feature that allows the Z80 DART to interrupt when the Break sequence is detected or terminated. This feature facilitates the proper termination of the current message, correct initialization of the next message, and the accurate timing of the Break condition.

#### CPU/DMA BLOCK TRANSFER

The Z80 DART provides a Block Transfer mode to accommodate CPU block transfer functions and DMA block transfers (Z80 DMA or other design). The Block Transfer mode uses the W/RDY output in conjunction with the Wait/Ready bits of Write Register 1. The W/RDY output can be defined under software control as a Wait line in the CPU Block Transfer mode or as a Ready line in the DMA Block Transfer mode.

To a DMA controller, the Z80 DART Ready output indicates that the Z80 DART is ready to transfer data to or from memory. To the CPU the Wait output indicates that the Z80 DART is not ready to transfer data, thereby requesting the CPU to extend the I/O cycle.

## INTERNAL ARCHITECTURE

The device internal structure includes a Z80 CPU interface, internal control and interrupt logic, and two full-duplex channels. Each channel contains read and write registers, and discrete control and status logic that provides the interface to modems or other external devices.

The read and write register group includes five 8-bit control registers and two status registers. The interrupt vector is written into an additional 8-bit register (Write register 2) in Channel B that may be read through Read Register 2 in Channel B. The registers for both channel are designated as follows :

WR0-WR5-Write Register 0 through 5  
RR0-RR2-Read registers 0 through 2

The bit assignment and functional grouping of each register is configured to simplify and organize the programming process.

The logic for both channels provides formats, bit synchronization and validation for data transferred to and from the channel interface. The modem control inputs Clear to Send (CTS), Data Carrier Detect (DCD) and Ring Indicator (RI) are monitored by the control logic under program control. All the modem control signals are general-purpose in nature and can be used for functions other than modem control.

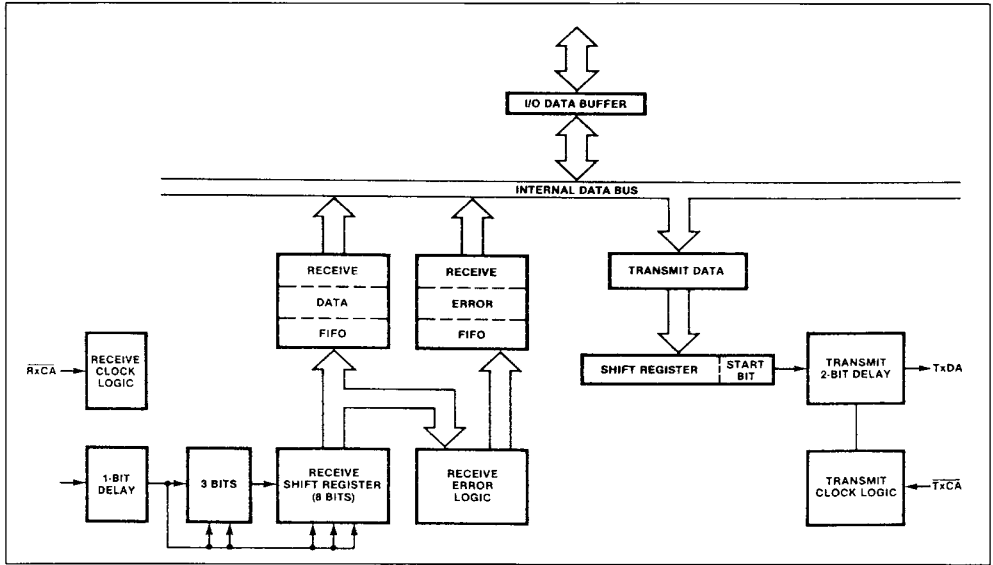
For automatic interrupt vectoring, the interrupt control logic determines which channel and which device within the channel has the highest priority. Priority is fixed with Channel A assigned a higher priority than Channel B ; Receive, Transmit and External/Status interrupts are prioritized in that order within each channel.

#### DATA PATH

The transmit and receive data path illustrated for Channel A in figure 4 is identical for both channels. The receiver has three 8-bit buffer registers in a FIFO arrangement in addition to the 8-bit receive shift register. This scheme creates additional time for the CPU to service a Receive Character Available interrupt in a high-speed data transfer.

The transmitter has an 8-bit transmit data register that is loaded from the internal data bus, and a 9-bit transmit shift register that is loaded from the transmit data register.

Figure 4 : Data Path.

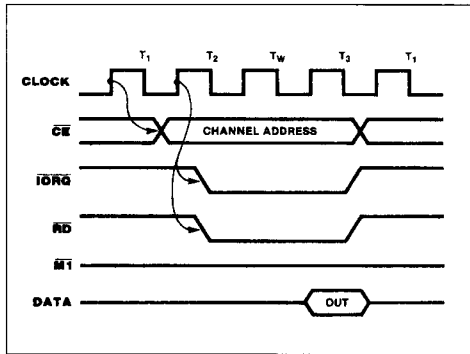


**READ, WRITE AND INTERRUPT TIMING**

**READ CYCLE**

The timing signals generated by a Z80 CPU input instruction to read a Data or Status byte from the Z80 DART are illustrated in figure 5a.

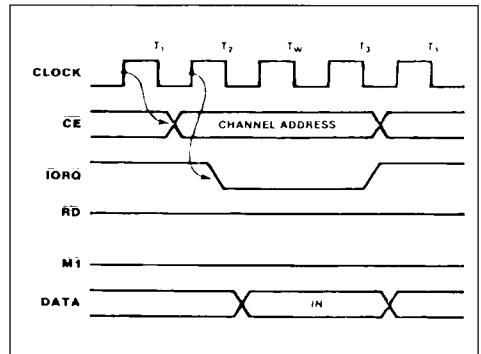
Figure 5a : Read Cycle.



**WRITE CYCLE**

Figure 5b illustrates the timing and data signals generated by a Z80 CPU output instruction to write a Data or Control byte into the Z80 DART.

Figure 5b : Write Cycle.



**INTERRUPT ACKNOWLEDGE CYCLE**

After receiving an Interrupt Request signal (INT pulled Low), the Z80 CPU sends an Interrupt Acknowledge signal (M1 and IORQ both Low). The daisy-chained interrupt circuits determine the highest priority interrupt requestor. The IEI of the highest priority peripheral is terminated High. For any peripheral that has no interrupt pending or under service, IEO = IEI. Any peripheral that does have an interrupt pending or under service forces its IEO Low.

To insure stable conditions in the daisy chain, all interrupt status signals are prevented from changing while M1 is Low. When IORQ is Low, the highest priority interrupt requestor (the one with IEI High) places its interrupt vector on the data bus and sets its internal interrupt-under-service latch.

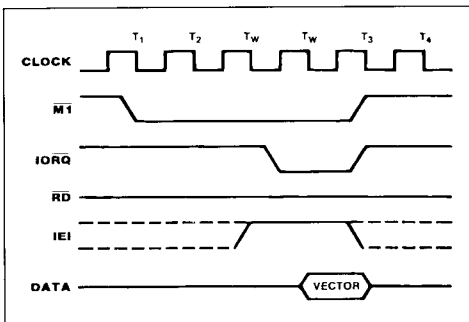
Refer to the Z80 Family Technical Manual for additional details on the interrupt daisy chain and interrupt nesting.

**RETURN FROM INTERRUPT CYCLE**

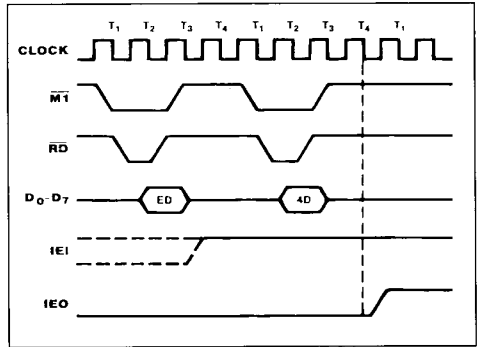
Normally, the Z80 CPU issues a RETI (Return From Interrupt) instruction at the end of an interrupt service routine. RETI is a 2-byte opcode (ED-4D) that resets the interrupt-under-service latch to terminate the interrupt that has just been processed.

When used with other CPUs, the Z80 DART allows the user to return from the interrupt cycle with a special command called "Return From Interrupt" in Write Register 0 of Channel A. This command is interpreted by the Z80 DART in exactly the same way it would interpret a RETI command on the data bus.

**Figure 5c :** Interrupt Acknowledge Cycle.



**Figure 5d :** Return from Interrupt Cycle.



**Z80 DART PROGRAMMING**

To program the Z80 DART, the system program first issues a series of commands that initialize the basic mode and then other commands that qualify conditions within the selected mode. For example, the character length, clock rate, number of stop bits, even or odd parity are first set, then the Interrupt mode and, finally, receiver or transmitter enable.

Both channels contain command registers that must be programmed via the system program prior to operation. The Channel Select input (B/A) and the Control/Data input (C/D) are the command structure addressing controls, and are normally controlled by the CPU address bus.

**WRITE REGISTERS**

The Z80 DART contains six registers (WR0-WR5) in each channel that are programmed separately by the system program to configure the functional personality of the channels (figure 4). With the exception of WR0, programming the write registers requires two bytes. The first byte contains three bits (D0-D2) that point to the selected register ; the second byte is the actual control word that is written into the register to configure the Z80 DART.

WR0 is a special case in that all the basic commands (CMD0-CMD2) can be accessed with a single byte. Reset (internal or external) initializes the pointer bits D0-D2 to point to WR0. This means that a register cannot be pointed to in the same operation as a channel reset.

Write Register Functions	
WR0	Register Pointers, Initialization Commands for the Various Modes, etc.
WR1	Transmit/Receive Interrupt and Data Transfer Mode Definition
WR2	Interrupt Vector (Channel B only)
WR3	Receive Parameters and Control
WR4	Transmit/Receive Miscellaneous Parameters and Modes
WR5	Transmit Parameters and Controls

### READ REGISTERS

The Z80 DART contains three registers (RR0-RR2) that can be read to obtain the status information for each channel (except for RR2, which applies to Channel B only). The status information includes error conditions, interrupt vector and standard communications-interface signals.

To read the contents of a selected read register other than RR0, the system program must first write the pointer byte to WR0 in exactly the same way as a write register operation. Then, by executing an input instruction, the contents of the addressed read register can be read by the CPU.

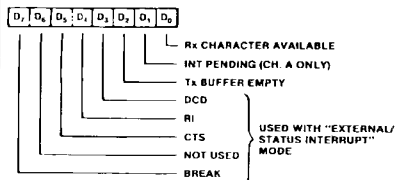
The status bits of RR0 and RR1 are carefully grouped to simplify status monitoring. For example, when the interrupt vector indicates that a Special Receive Conditions interrupt has occurred, all the appropriate error bits can be read from a single register (RR1).

Read Register Functions	
RR0	Transmit/Receive Buffer Status, Interrupt Status and External Status
RR1	Special Receive Condition Status
RR2	Modified Interrupt Vector (channel B only)

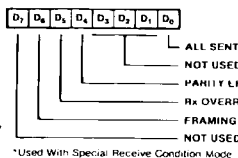


Z80 DART READ AND WRITE REGISTERS

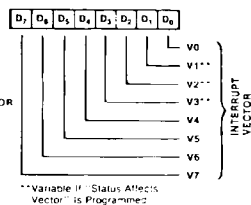
READ REGISTER 0



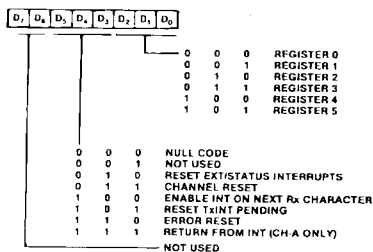
READ REGISTER 1\*



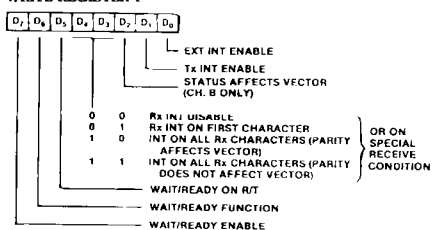
READ REGISTER 2



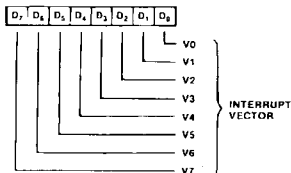
WRITE REGISTER 0



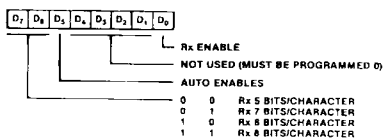
WRITE REGISTER 1



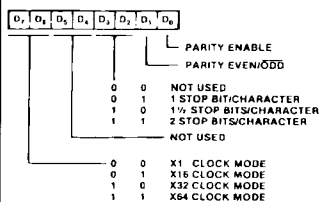
WRITE REGISTER 2 (CHANNEL B ONLY)



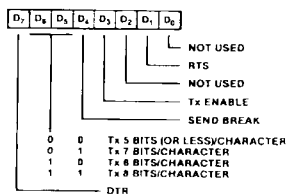
WRITE REGISTER 3



WRITE REGISTER 4



WRITE REGISTER 5



**ABSOLUTE MAXIMUM RATINGS**

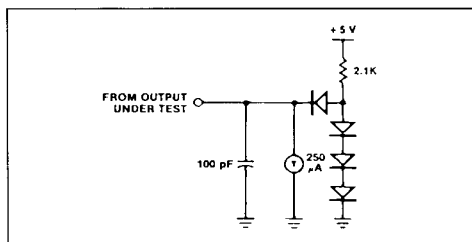
Symbol	Parameter	Value	Unit
V <sub>I</sub>	Voltage on all Inputs and Outputs with Respect to GND	- 0.3 to + 7.0	V
T <sub>A</sub>	Operating Ambient Temperature As Specified in Ordering Information		
T <sub>stg</sub>	Storage Temperature	- 65 to + 150	°C

Stresses greater than those listed under Absolute Maximum Ratings may cause permanent damage to the device. This is a stress rating only ; operation of the device at any condition above those indicated in the operational sections of these specifications is not implied. Exposure to absolute maximum rating conditions for extended periods may affect device reliability.

**TEST CONDITIONS**

The characteristics below apply for the following test conditions, unless otherwise noted. All voltages are referenced to GND (0V). Positive current flows into the referenced pin. Available operating temperature ranges are :

- 0 °C to + 70 °C,  
+ 4.75 V ≤ V<sub>CC</sub> ≤ + 5.25 V
- 40 °C to + 85 °C,  
+ 4.75 V ≤ V<sub>CC</sub> ≤ + 5.25 V
- 55 °C to + 125 °C,  
+ 4.5 V ≤ V<sub>CC</sub> ≤ + 5.5 V

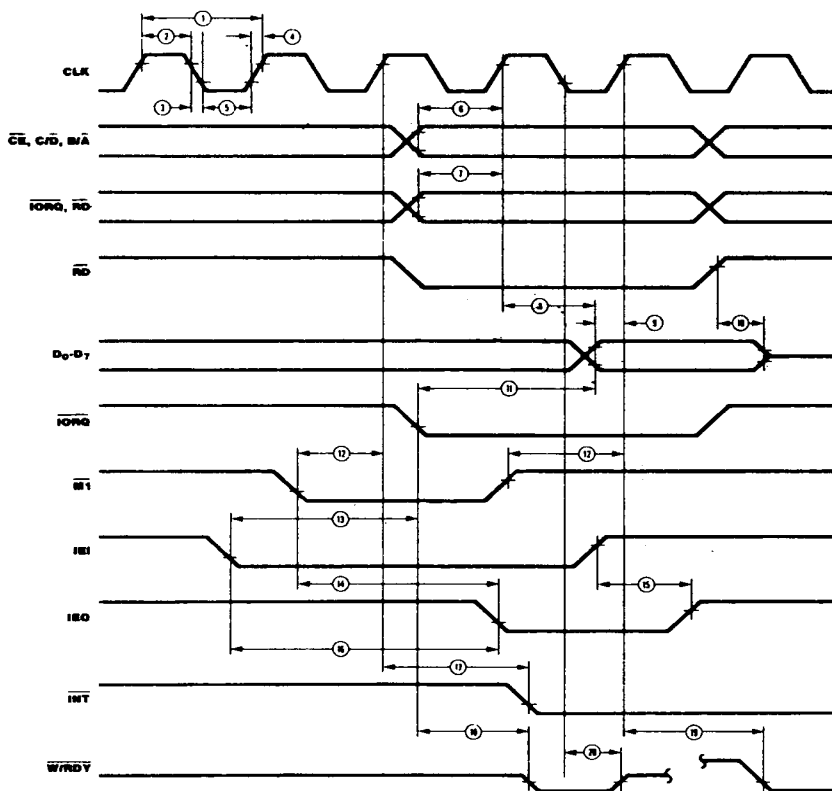


**DC CHARACTERISTICS**

Symbol	Parameter	Test Conditions	Min.	Max.	Unit
V <sub>ILC</sub>	Clock Input Low Voltage		- 0.3	+ 0.45	V
V <sub>IHC</sub>	Clock Input High Voltage		V <sub>CC</sub> - 0.6	+ 5.5	V
V <sub>IL</sub>	Input Low Voltage		- 0.3	+ 0.8	V
V <sub>IH</sub>	Input High Voltage		+ 2.0	+ 5.5	V
V <sub>OL</sub>	Output Low Voltage	I <sub>OL</sub> = 2.0 mA		+ 0.4	V
V <sub>OH</sub>	Output High Voltage	I <sub>OH</sub> = - 250 µA	+ 2.4		V
I <sub>L</sub>	Input/3-State Output Leakage Current	0.4 < V < 2.4 V	- 10	+ 10	µA
I <sub>L(RI)</sub>	RI Pin Leakage Current	0 ≤ V <sub>IN</sub> ≤ V <sub>CC</sub>	- 40	+ 10	µA
I <sub>CC</sub>	Power Supply Current			100	mA

T<sub>A</sub> = 0 °C to 70 °C, V<sub>CC</sub> = 5 V ± 5 %.

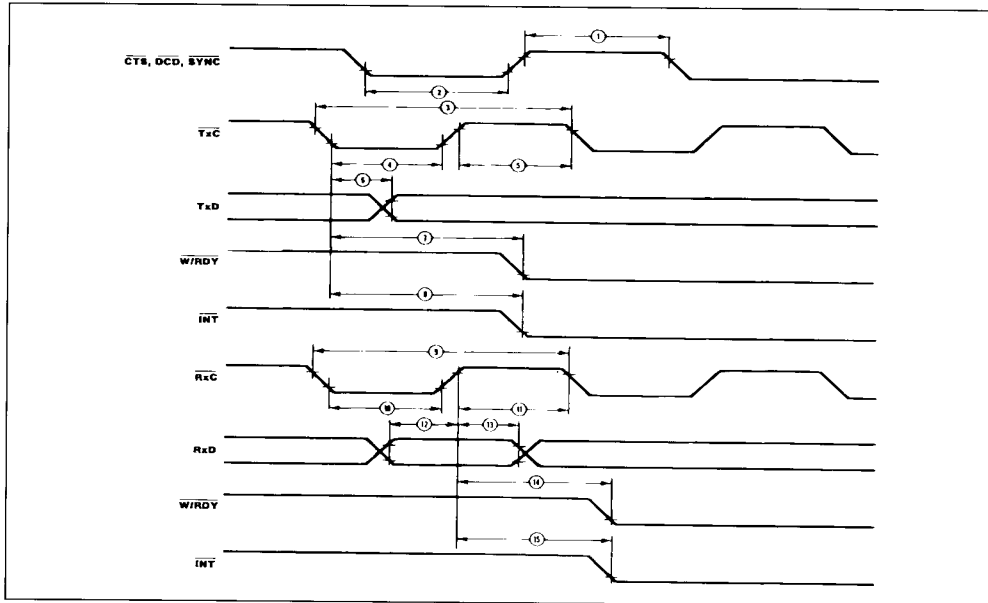
## AC CHARACTERISTICS



## AC CHARACTERISTICS (continued)

N°	Symbol	Parameter	Z8470,		Z8470A		Z8470B	
			Min. (ns)	Max. (ns)	Min. (ns)	Max. (ns)	Min. (ns)	Max. (ns)
1	TcC	Clock Cycle Time	400	4000	250	4000	165	4000
2	TwCh	Clock Width (high)	170	2000	105	2000	70	2000
3	TfC	Clock Fall Time		30		30		15
4	TrC	Clock Rise Time		30		30		15
5	TwCl	Clock Width (low)	170	2000	105	2000	70	2000
6	TsAD(C)	$\overline{CE}$ , C/D, B/A to Clock $\uparrow$ Setup Time	160		145		60	
7	TsCS(C)	$\overline{IORQ}$ , RD, to Clock $\uparrow$ Setup Time	240		115		60	
8	TdC(DO)	Clock $\uparrow$ to Data Out Delay		240		220		150
9	TsDI(C)	Data in to Clock $\uparrow$ Setup Time (write or MI cycle)	50		50		30	
10	TdRD(DOz)	$\overline{RD}$ $\uparrow$ to Data Out Float Delay		230		110		90
11	TdIO(DOI)	$\overline{IORQ}$ $\downarrow$ to Data Out Delay (INTACK cycle)		340		160		100
12	TsMI(C)	MI to Clock $\uparrow$ Setup Time	210		90		75	
13	TsIE(IO)	IEI to $\overline{IORQ}$ $\downarrow$ Setup Time (INTA cycle)	200		140		120	
14	TdMI(IEO)	MI $\downarrow$ to IEO $\downarrow$ Delay (interrupt before MI)		300		190		160
15	TdIEI(IEOr)	IEI $\uparrow$ to IEO $\uparrow$ Delay (after ED decode)		150		100		70
16	TdIEI(IEOf)	IEI $\downarrow$ to IEO $\downarrow$ Delay		150		100		70
17	TdC(INT)	Clock $\uparrow$ to INT $\downarrow$ Delay		200		200		150
18	TdIO(W/RWf)	$\overline{IORQ}$ $\downarrow$ or $\overline{CE}$ $\downarrow$ to W/RDY $\downarrow$ Delay (wait mode)		300		210		175
19	TdC(W/RR)	Clock $\uparrow$ to W/RDY $\downarrow$ Delay (ready mode)		120		120		100
20	TdC(W/RWz)	Clock $\downarrow$ to W/RDY Float Delay (wait mode)		150		130		110

AC CHARACTERISTICS (continued)



AC CHARACTERISTICS (continued)

N°	Symbol	Parameter	Unit	Z8470		Z8470A		Z8470B	
				Min. (ns)	Max. (ns)	Min. (ns)	Max. (ns)	Min. (ns)	Max. (ns)
1	TwPh	Pulse Width (high)		200		200		200	
2	TwPl	Pulse Width (low)		200		200		200	
3	TcTxC	TxC Cycle Time		400	∞	400	∞	330	∞
4	TwTxCl	TxC Width (low)		180	∞	180	∞	100	∞
5	TwTxCh	TxC Width (high)		180	∞	180	∞	100	∞
6	TdTxC(TxD)	TxC ↓ to TxD Delay			400		300		220
7	TdTxC(W/RRf)	TxC ↓ to W/RDY ↓ Delay (ready mode)	Clk Periods	5	9	5	9	5	9
8	TdTxC(INT)	TxC ↓ to INT ↓ Delay	Clk Periods	5	9	5	9	5	9
9	TcRxC	RxC Cycle Time		400	∞	400	∞	330	∞
10	TwRxCi	RxC Width (low)		180	∞	180	∞	100	∞
11	TwRxCCh	RxC Width (high)		180	∞	180	∞	100	∞
12	TsRxD(RxC)	RxD to RxC ↑ Setup Time (xl mode)		0		0		0	
13	ThRxD(RxC)	RxD Hold Time (xl mode)		140		140		100	
14	TdRxC(W/RRf)	RxC ↑ to W/RDY ↓ Delay (ready mode)	Clk Periods	10	13	10	13	10	13
15	TdRxC(INT)	RxC ↑ to INT ↓ Delay	Clk Periods	10	13	10	13	10	13

## ORDERING INFORMATION

Type	Package	Temp.	Clock	Description
Z8470B1	DIP-40 (plastic)	0/ + 70°C	2.5 MHz	Z80 Dual Channel Asynchronous Receiver Transmitter
Z8470F1	DIP-40 (frit seal)	0/ + 70°C		
Z8470D1	DIP-40 (ceramic)	0/ + 70°C		
Z8470D6	DIP-40 (ceramic)	- 40/ + 85°C		
Z8470D2	DIP-40 (ceramic)	- 55/ + 125°C		
Z8444C1	PLCC44 (plastic chip-carrier)	0/ + 70°C	4 MHz	
Z8470AB1	DIP-40 (plastic)	0/ + 70°C		
Z8470AF1	DIP-40 (frit seal)	0/ + 70°C		
Z8470AD1	DIP-40 (ceramic)	0/ + 70°C		
Z8470AD6	DIP-40 (ceramic)	- 40/ + 85°C		
Z8470AD2	DIP-40 (ceramic)	- 55/ + 125°C		
Z8444AC1	PLCC44 (plastic chip-carrier)	0/ + 70°C	6 MHz	
Z8470BB1	DIP-40 (plastic)	0/ + 70°C		
Z8470BF1	DIP-40 (frit seal)	0/ + 70°C		
Z8470BD1	DIP-40 (ceramic)	0/ + 70°C		
Z8470BD6	DIP-40 (ceramic)	- 40/ + 85°C		
Z8470BD2	DIP-40 (ceramic)	- 55/ + 125°C		
Z8444BC1	PLCC44 (plastic chip-carrier)	0/ + 70°C		