



STGB20NB32LZ STGB20NB32LZ-1

N-CHANNEL CLAMPED 20A - D²PAK/I²PAK
INTERNALLY CLAMPED PowerMESH™ IGBT

TYPE	V _{CES}	V _{CE(sat)}	I _c
STGB20NB32LZ	CLAMPED	< 2.0 V	20 A
STGB20NB32LZ-1	CLAMPED	< 2.0 V	20 A

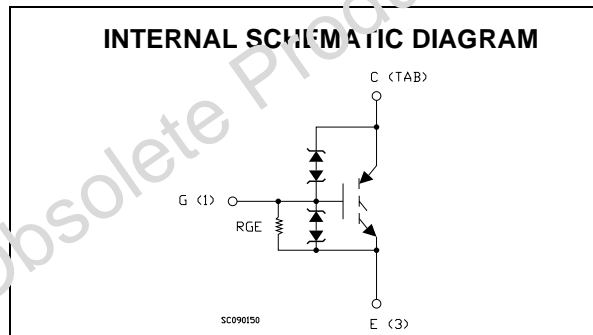
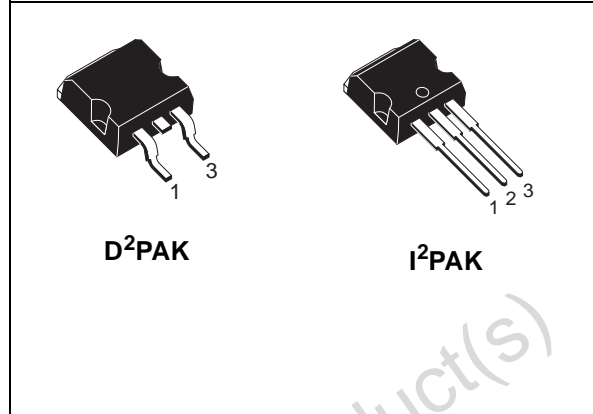
- POLYSILICON GATE VOLTAGE DRIVEN
- LOW THRESHOLD VOLTAGE
- LOW ON-VOLTAGE DROP
- HIGH CURRENT CAPABILITY
- HIGH VOLTAGE CLAMPING FEATURE

DESCRIPTION

Using the latest high voltage technology based on a patented strip layout, STMicroelectronics has designed an advanced family of IGBTs, the PowerMESH™ IGBTs, with outstanding performances. The built in collector-gate zener exhibits a very precise active clamping while the gate-emitter zener supplies an ESD protection.

APPLICATIONS

- ELECTRONIC IGNITION FOR AUTOMOTIVE



ORDERING INFORMATION

SALES TYPE	MARKING	PACKAGE	PACKAGING
STGB20NB32LZT4	GB20NB32LZ	D ² PAK	TAPE & REEL
STGB20NB32LZ-1	GB20NB32LZ	I ² PAK	TUBE

STGB20NB32LZ - STGB20NB32LZ-1

ABSOLUTE MAXIMUM RATINGS

Symbol	Parameter	Value	Unit
V_{CES}	Collector-Emitter Voltage ($V_{GS} = 0$)	CLAMPED	V
V_{ECR}	Reverse Battery Protection	20	V
V_{GE}	Gate-Emitter Voltage	CLAMPED	V
I_C	Collector Current (continuous) at $T_c = 25^\circ\text{C}$	40	A
I_C	Collector Current (continuous) at $T_c = 100^\circ\text{C}$	30	A
$I_{CM}(\bullet)$	Collector Current (pulsed)	80	A
E_{as}	Single Pulse Energy $T_c = 25^\circ\text{C}$	700	mJ
P_{tot}	Total Dissipation at $T_c = 25^\circ\text{C}$	150	W
	Derating Factor	1	W/°C
E_{SD}	ESD (Human Body Model)	4	KV
T_{stg}	Storage Temperature	-65 to 175	°C
T_j	Max. Operating Junction Temperature	175	°C

(*)Pulse width limited by safe operating area

THERMAL DATA

$R_{thj-case}$	Thermal Resistance Junction-case Max	1	°C/W
$R_{thj-amb}$	Thermal Resistance Junction-ambient Max	62.5	°C/W

ELECTRICAL CHARACTERISTICS ($T_{CASE} = 25^\circ\text{C}$ UNLESS OTHERWISE SPECIFIED)

OFF

Symbol	Parameter	Test Conditions	Min.	Typ.	Max.	Unit
$BV_{(CES)}$	Clamped Voltage	$I_C = 2\text{ mA}, V_{GE} = 0, T_c = -40^\circ\text{C}$	330	355	380	V
		$I_C = 2\text{ mA}, V_{GE} = 0, T_c = 25^\circ\text{C}$	325	350	375	V
		$I_C = 2\text{ mA}, V_{GE} = 0, T_c = 150^\circ\text{C}$	320	345	370	V
$BV_{(ECR)}$	Emitter Collector Break-down Voltage	$I_C = 75\text{ mA}, T_c = 25^\circ\text{C}$	20	28		V
BV_{GE}	Gate Emitter Break-down Voltage	$I_G = \pm 2\text{ mA}$	12	14	16	V
I_{CES}	Collector cut-off Current ($V_{GE} = 0$)	$V_{CE} = 15\text{ V}, V_{GE} = 0, T_c = 150^\circ\text{C}$			10	μA
		$V_{CE} = 200\text{ V}, V_{GE} = 0, T_c = 150^\circ\text{C}$			100	μA
I_{GES}	Gate-Emitter Leakage Current ($V_{CE} = 0$)	$V_{GE} = \pm 10\text{ V}, V_{CE} = 0$	± 400	± 660	± 1000	μA
R_{GE}	Gate Emitter Resistance		10	15	25	K Ω

ON (1)

Symbol	Parameter	Test Conditions	Min.	Typ.	Max.	Unit
$V_{GE(th)}$	Gate Threshold Voltage	$V_{CE} = V_{GE}, I_C = 250\mu\text{A}, T_c = -40^\circ\text{C}$	1.2			V
		$V_{CE} = V_{GE}, I_C = 250\mu\text{A}, T_c = 25^\circ\text{C}$	1	1.4	2	V
		$V_{CE} = V_{GE}, I_C = 250\mu\text{A}, T_c = 150^\circ\text{C}$	0.6			V
$V_{CE(SAT)}$	Collector-Emitter Saturation Voltage	$V_{GE} = 4.5\text{ V}, I_C = 10\text{ A}, T_c = 25^\circ\text{C}$		1.1	1.8	V
		$V_{GE} = 4.5\text{ V}, I_C = 10\text{ A}, T_c = 150^\circ\text{C}$		1	1.7	V
		$V_{GE} = 4.5\text{ V}, I_C = 20\text{ A}, T_c = 25^\circ\text{C}$		1.35	2	V
		$V_{GE} = 4.5\text{ V}, I_C = 20\text{ A}, T_c = 150^\circ\text{C}$		1.25	2	V

ELECTRICAL CHARACTERISTICS (T_{CASE} = 25 °C UNLESS OTHERWISE SPECIFIED)
DYNAMIC

Symbol	Parameter	Test Conditions	Min.	Typ.	Max.	Unit
g _{fs}	Forward Transconductance	V _{CE} = 25 V, I _C = 20 A		35		S
C _{ies}	Input Capacitance	V _{CE} = 25 V, f = 1 MHz, V _{GE} = 0		2300		pF
C _{oes}	Output Capacitance			165		pF
C _{res}	Reverse Transfer Capacitance			28		pF
Q _g	Gate Charge	V _{CE} = 280 V, I _C = 20 A, V _{GE} = 5 V		51		nC

FUNCTIONAL CHARACTERISTICS

Symbol	Parameter	Test Conditions	Min.	Typ.	Max.	Unit
I _l	Latching Current	R _{Goff} = 127Ω, V _{Clamp} = 250 V, V _{GE} = 5 V, T _C = 125 °C	34			A
U.I.S.	Functional Test Open Secondary Coil	R _{Goff} = 1KΩ, T _C = 125°C, V _G = 5 V, L = 1.6mH	21.6			A

SWITCHING ON

Symbol	Parameter	Test Conditions	Min.	Typ.	Max.	Unit
t _{d(on)} t _r	Delay Time Rise Time	V _{CC} = 250 V, I _C = 20 A R _G = 1KΩ, V _{GE} = 4.5 V		2.3 0.6		μs μs
(di/dt) _{on}	Turn-on Current Slope	V _{CC} = 250 V, I _C = 20 A R _G = 1KΩ, V _{GE} = 4.5 V		550		A/μs
E _{on}	Turn-on Switching Losses	V _{CC} = 250 V, I _C = 20 A, T _C = 25°C R _G = 1KΩ, V _{GE} = 4.5 V, T _C = 150°C		8.8 9.2		mJ mJ

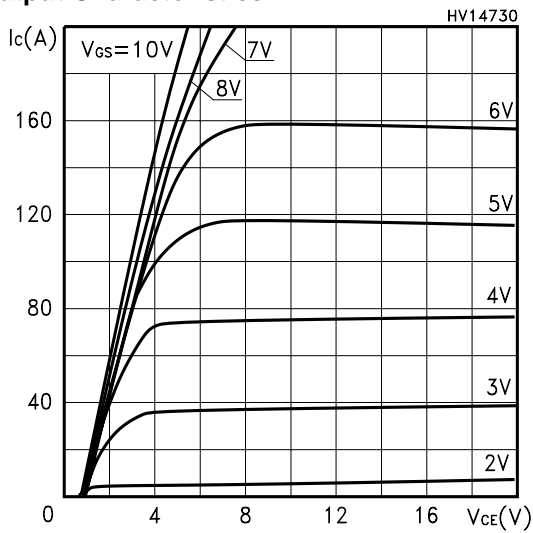
SWITCHING OFF

Symbol	Parameter	Test Conditions	Min.	Typ.	Max.	Unit
t _c t _{r(Voff)} t _f t _{d(off)} E _{off(**)}	Cross-Over Time Off Voltage Rise Time Fall Time Off Voltage Delay Time Turn-off Switching Loss	V _{CC} = 250 V, I _C = 20 A, R _{GE} = 1 KΩ, V _{GE} = 4.5 V		4.8 2.6 2 11.5 11.8		μs μs μs μs mJ
t _c t _{r(Voff)} t _f t _{d(off)} E _{off(**)}	Cross-Over Time Off Voltage Rise Time Fall Time Off Voltage Delay Time Turn-off Switching Loss	V _{CC} = 250 V, I _C = 20 A, R _{GE} = 1 KΩ, V _{GE} = 4.5 V T _C = 150 °C		7.8 3.5 3.9 12 17.8		μs μs μs μs mJ

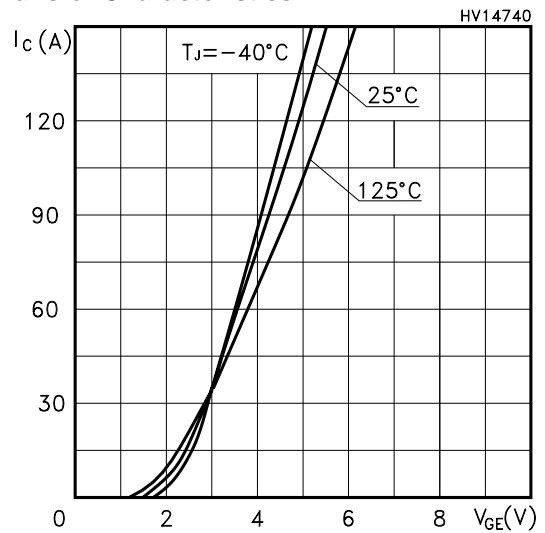
(**)Losses Include Also the Tail (jedec Standardization)

STGB20NB32LZ - STGB20NB32LZ-1

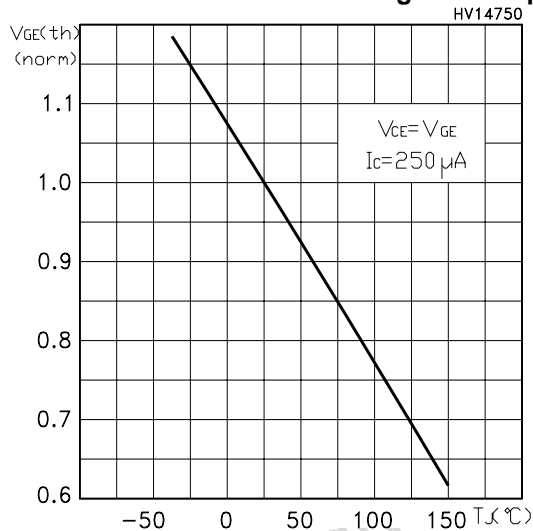
Output Characteristics



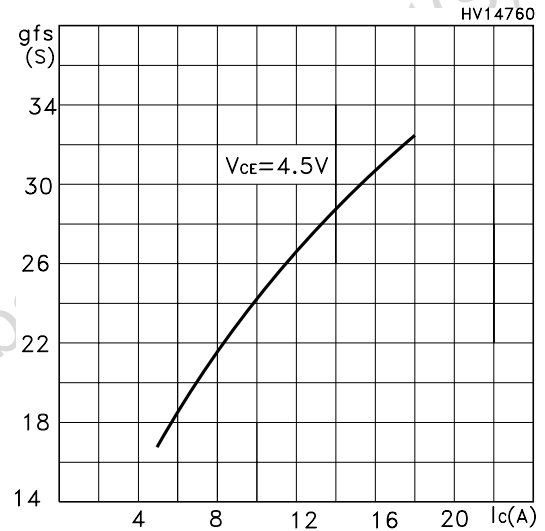
Transfer Characteristics



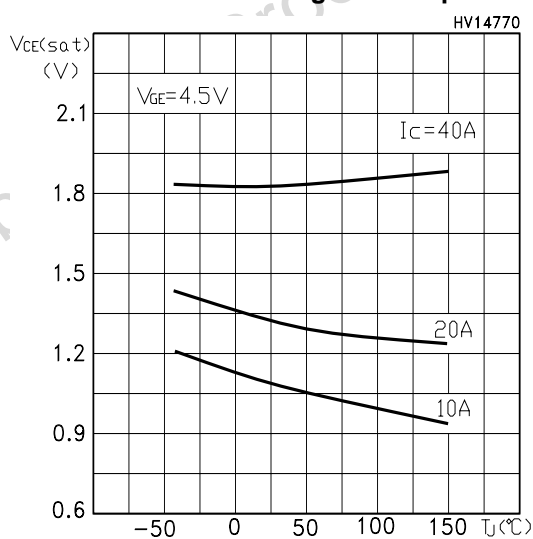
Normalized Gate Threshold Voltage vs Temp.



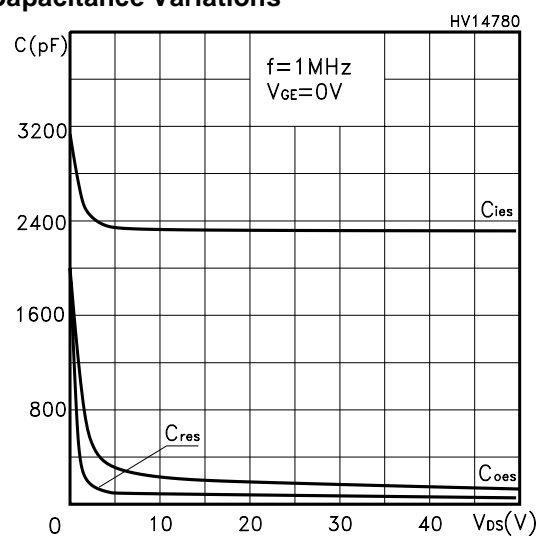
Transconductance



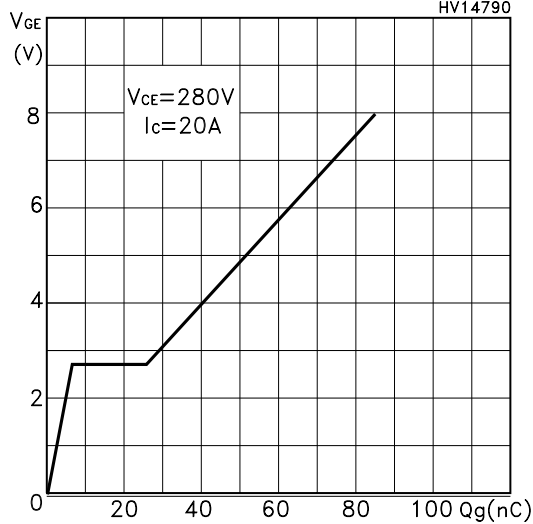
Collector-Emitter On Voltage vs Temperature



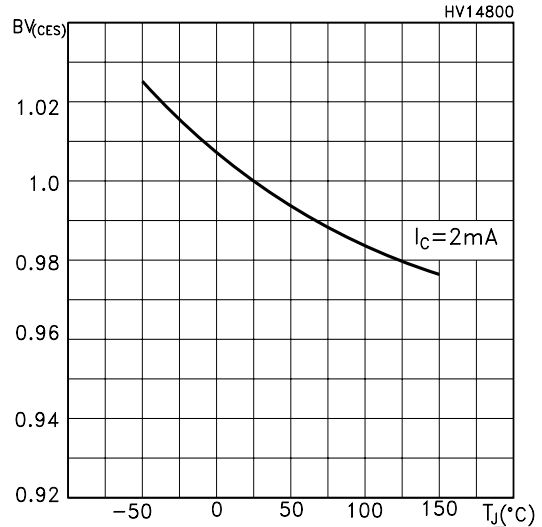
Capacitance Variations



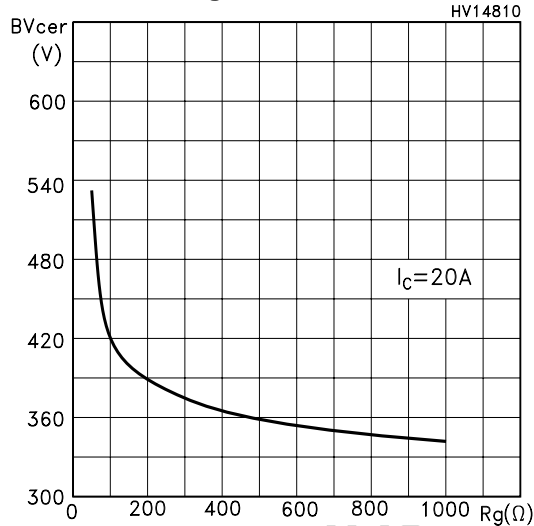
Gate Charge vs Gate-Emitter Voltage



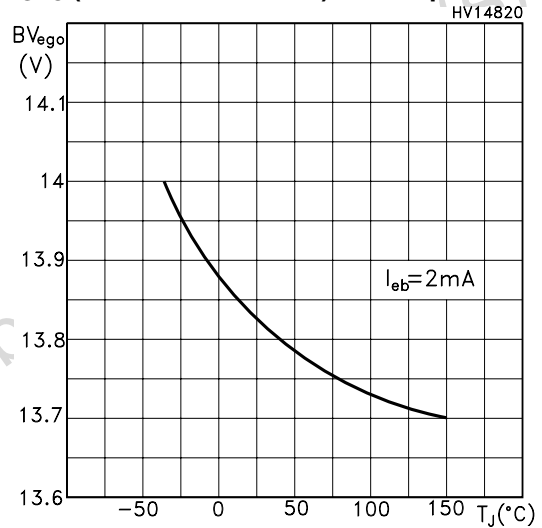
Normalized BreakDown Voltage vs Temperature



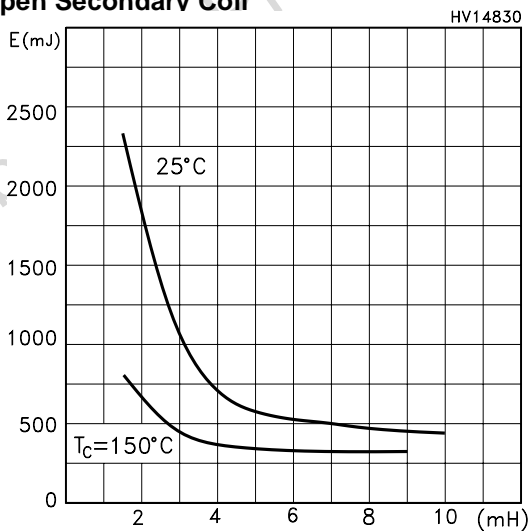
Break-Down Voltage vs Emitter Resistance



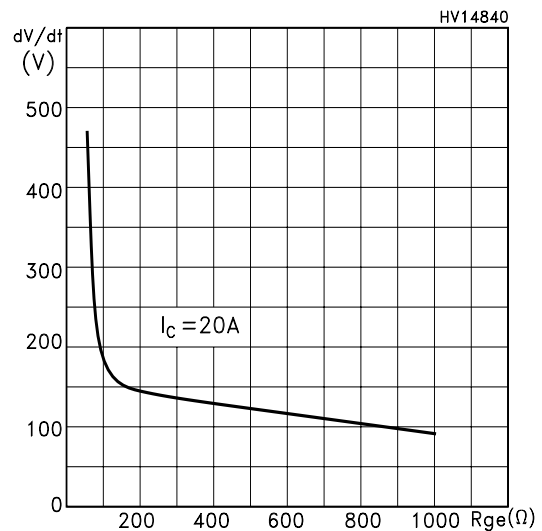
BVGE0 (Zener Gate-Emitter) vs Temperature



Self Clamped Inductive Switching Energy vs Open Secondary Coil

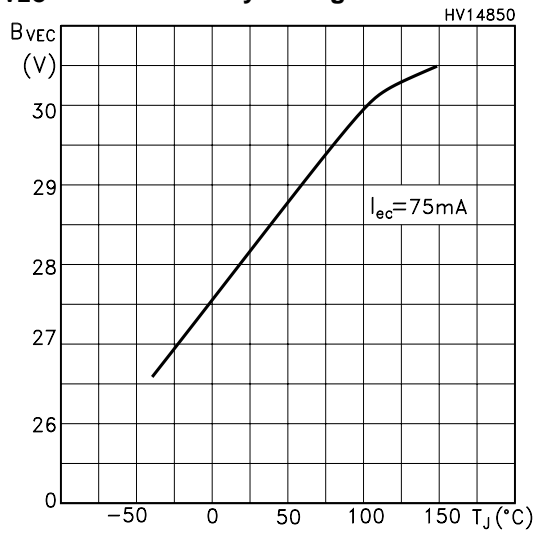


dV/dt Gate-Emitter Resistance

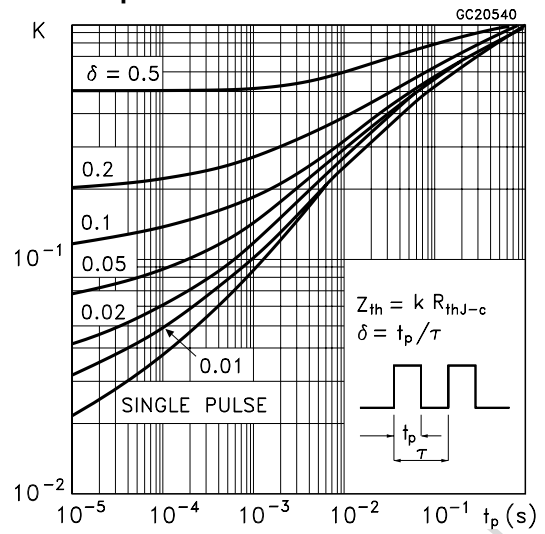


STGB20NB32LZ - STGB20NB32LZ-1

B_{VEC} Reverse Battery Voltage



Thermal Impedance



Switching Off Safe Operating Area

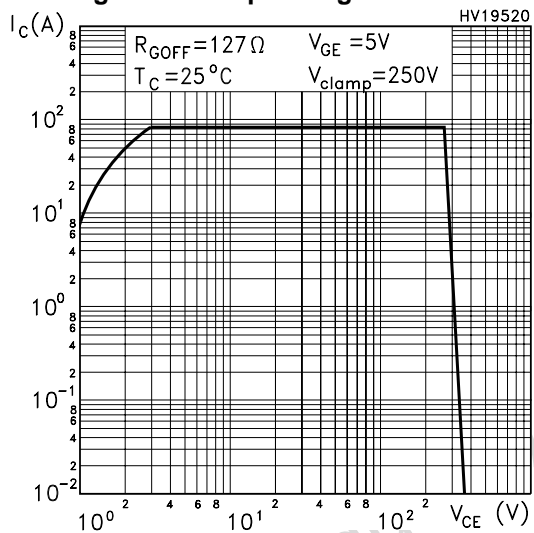


Fig. 1: Unclamped Inductive Load Test Circuit

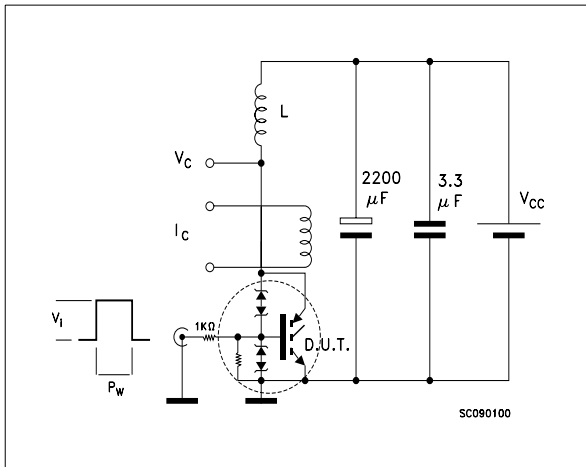


Fig. 2: Unclamped Inductive Waveform

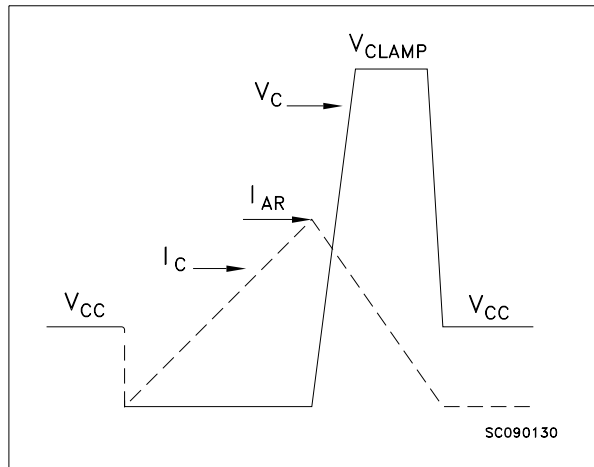


Fig. 3: Test Circuit For Inductive Load Switching And Diode Recovery Times

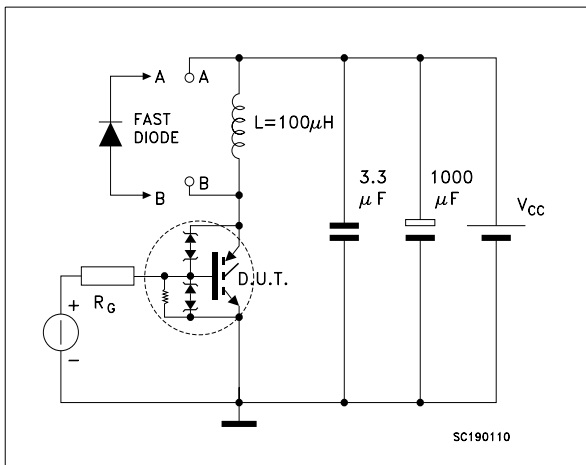
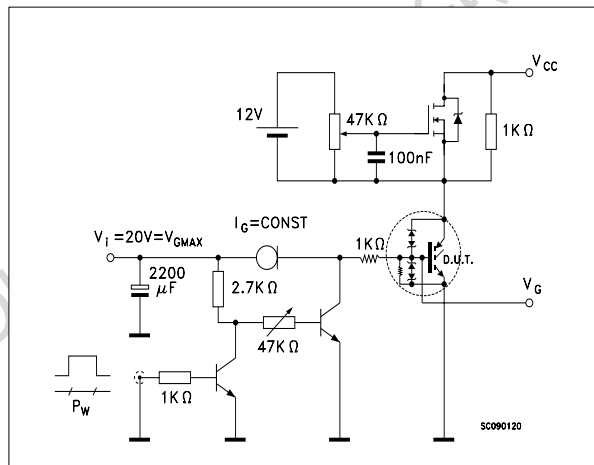


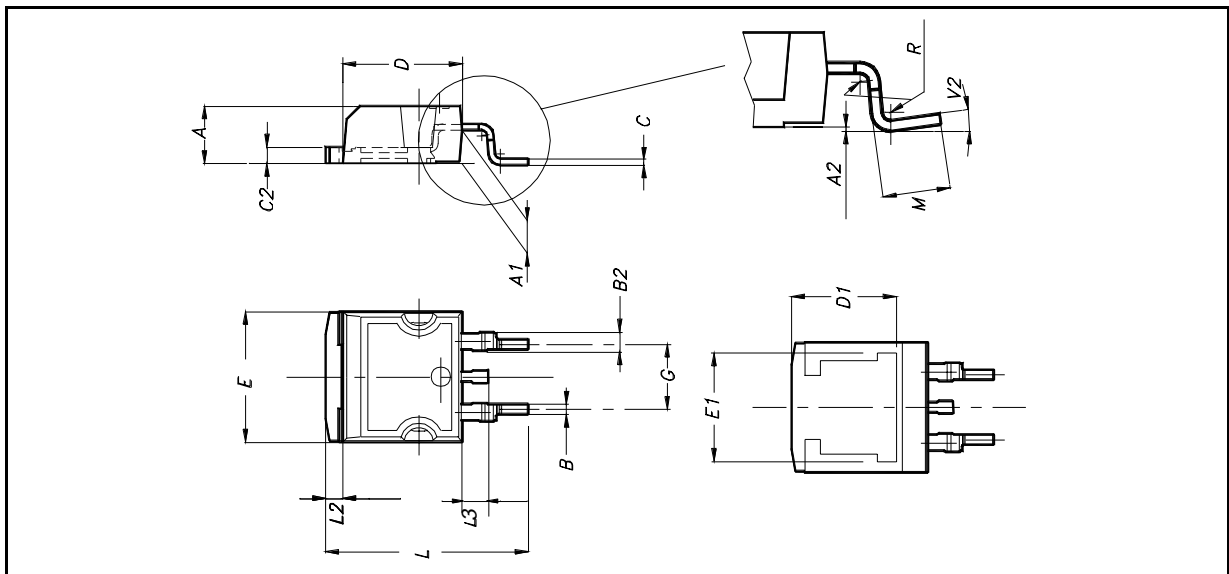
Fig. 4: Gate Charge test Circuit



Obsolete Product

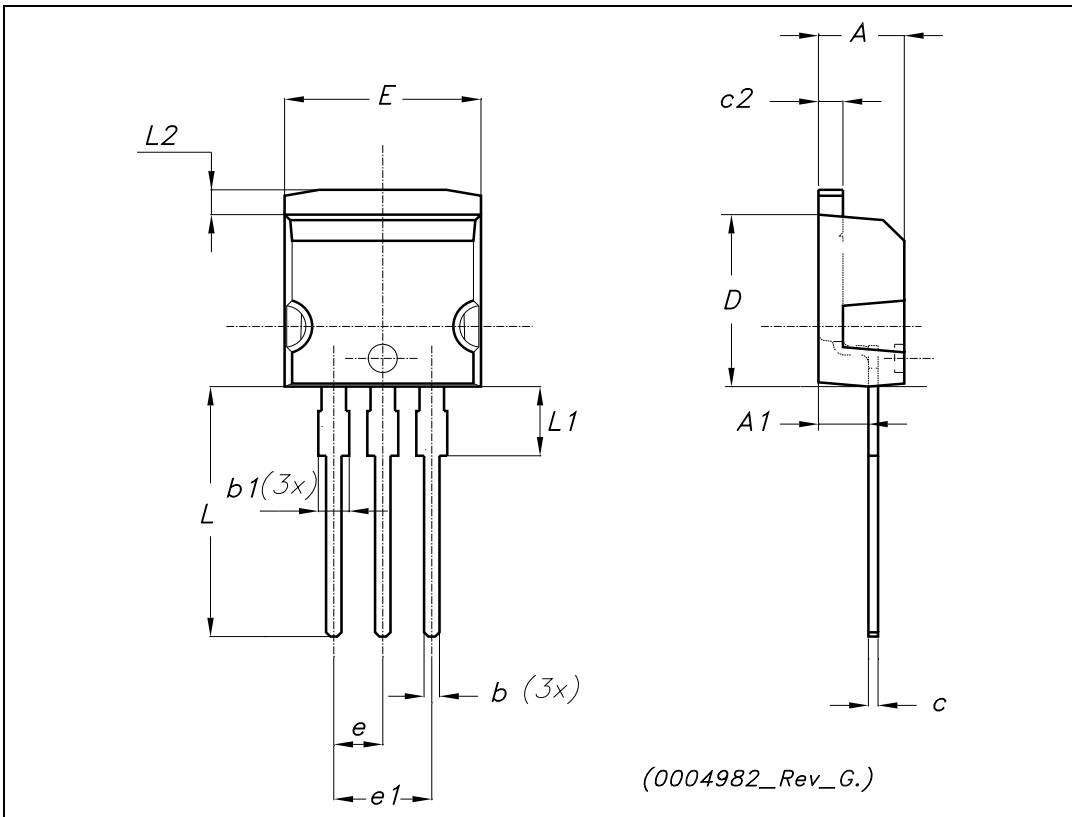
D²PAK MECHANICAL DATA

DIM.	mm.			inch		
	MIN.	TYP	MAX.	MIN.	TYP.	MAX.
A	4.4		4.6	0.173		0.181
A1	2.49		2.69	0.098		0.106
A2	0.03		0.23	0.001		0.009
B	0.7		0.93	0.027		0.036
B2	1.14		1.7	0.044		0.067
C	0.45		0.6	0.017		0.023
C2	1.23		1.36	0.048		0.053
D	8.95		9.35	0.352		0.368
D1		8			0.315	
E	10		10.4	0.393		
E1		8.5			0.334	
G	4.88		5.28	0.192		0.208
L	15		15.85	0.590		0.625
L2	1.27		1.4	0.050		0.055
L3	1.4		1.75	0.055		0.068
M	2.4		3.2	0.094		0.126
R		0.4			0.015	
V2	0°		8°			

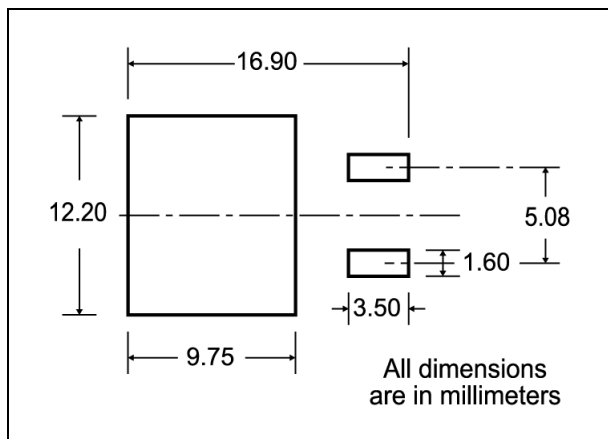


TO-262 (I²PAK) MECHANICAL DATA

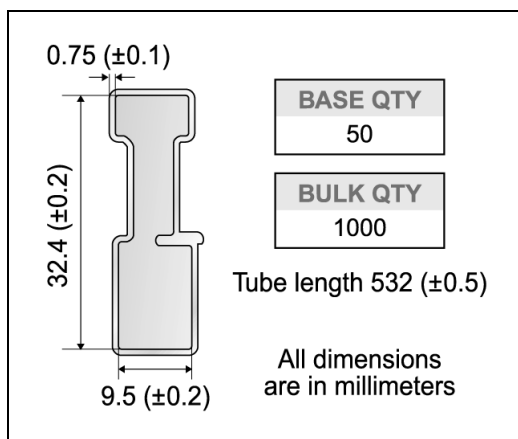
DIM.	mm.			inch		
	MIN.	TYP	MAX.	MIN.	TYP.	MAX.
A	4.40		4.60	0.173		0.181
A1	2.40		2.72	0.094		0.107
b	0.61		0.88	0.024		0.034
b1	1.14		1.70	0.044		0.066
c	0.49		0.70	0.019		0.027
c2	1.23		1.32	0.048		0.052
D	8.95		9.35	0.352		0.368
e	2.40		2.70	0.094		0.106
e1	4.95		5.15	0.194		0.202
E	10		10.40	0.393		0.410
L	13		14	0.511		0.551
L1	3.50		3.93	0.137		0.154
L2	1.27		1.40	0.050		0.055



D²PAK FOOTPRINT



TUBE SHIPMENT (no suffix)*



TAPE AND REEL SHIPMENT (suffix "T4")*

40 mm min. Access hole at slot location

Full radius

Tape slot in core for tape start 2.5mm min. width

TAPE MECHANICAL DATA

DIM.	mm		inch	
	MIN.	MAX.	MIN.	MAX.
A0	10.5	10.7	0.413	0.421
B0	15.7	15.9	0.618	0.626
D	1.5	1.6	0.059	0.063
D1	1.59	1.61	0.062	0.063
E	1.65	1.85	0.065	0.073
F	11.4	11.6	0.449	0.456
K0	4.8	5.0	0.189	0.197
P0	3.9	4.1	0.153	0.161
P1	11.9	12.1	0.468	0.476
P2	1.9	2.1	0.075	0.082
R	50		1.574	
T	0.25	0.35	0.0098	0.0137
W	23.7	24.3	0.933	0.956

REEL MECHANICAL DATA

DIM.	mm		inch	
	MIN.	MAX.	MIN.	MAX.
A		330		12.992
B	1.5		0.059	
C	12.8	13.2	0.504	0.520
D	20.2		0.795	
G	24.4	26.4	0.960	1.039
N	100		3.937	
T		30.4		1.197

BASE QTY	BULK QTY
1000	1000

10 pitches cumulative tolerance on tape +/- 0.2 mm

Center line of cavity

User Direction of Feed

TRL

FEED DIRECTION

Bending radius

R min.

* on sales type 10/11



Information furnished is believed to be accurate and reliable. However, STMicroelectronics assumes no responsibility for the consequences of use of such information nor for any infringement of patents or other rights of third parties which may result from its use. No license is granted by implication or otherwise under any patent or patent rights of STMicroelectronics. Specifications mentioned in this publication are subject to change without notice. This publication supersedes and replaces all information previously supplied. STMicroelectronics products are not authorized for use as critical components in life support devices or systems without express written approval of STMicroelectronics.

© The ST logo is a registered trademark of STMicroelectronics

© 2003 STMicroelectronics - Printed in Italy - All Rights Reserved
STMicroelectronics GROUP OF COMPANIES

Australia - Brazil - Canada - China - Finland - France - Germany - Hong Kong - India - Israel - Italy - Japan - Malaysia - Malta - Morocco
Singapore - Spain - Sweden - Switzerland - United Kingdom - United States.

© <http://www.st.com>