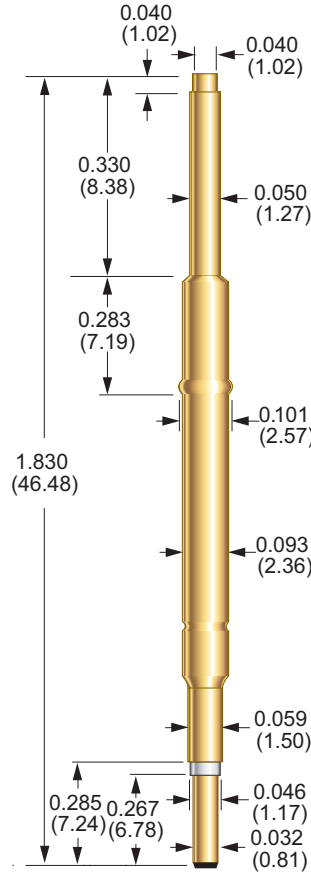
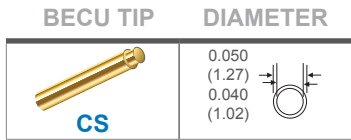


► **SIZE 3 SWITCH PROBE SERIES**

0.125 (3.18) Centers

Does not require a receptacle. The barrel of the switch probe is designed to mount directly in the mounting plate



PROBE SPECIFICATIONS

Minimum Centers	0.125 (3.18)
Current Rating	3 A continuous
Spring Force	4.00 oz (114 g) @ 0.197 (5.00) travel
Preload Force	1.40 oz (40 g)
Maximum Travel	0.295 (7.49)
Working Travel	0.197 (5.00)
Travel to Switch Point	0.025 (0.64)
Spring Force at Switch Point	1.80 oz. (51 g)

MATERIALS

Barrel	Nickel/silver, gold plated
Spring	Music wire
Plungers	Full-hard beryllium copper, gold plated
Insulator	Delrin
Contact	Beryllium copper, gold plated

MOUNTING

Drill Size	#41
Mounting Hole Size	0.094/0.096 (2.39/2.44)

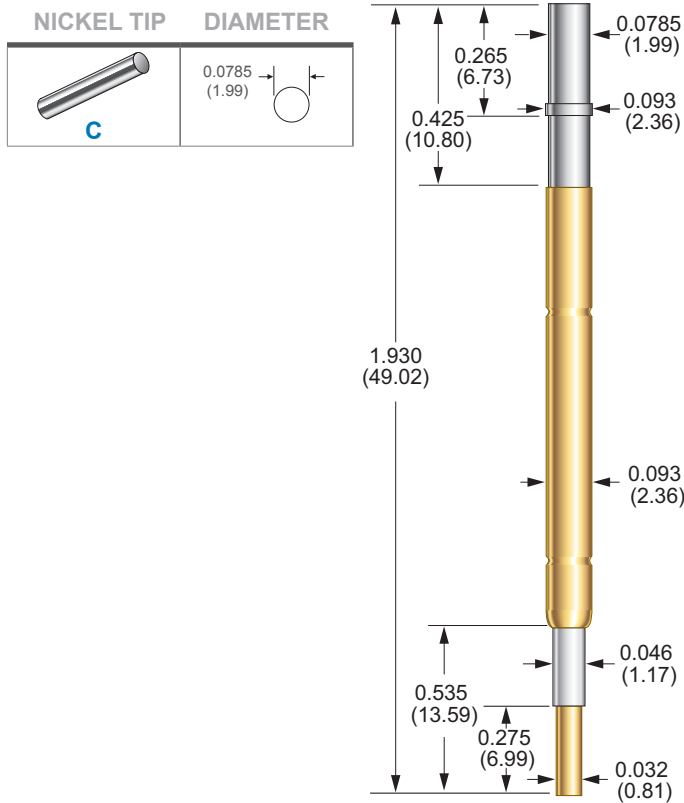
HOW TO ORDER

SW - 3 - CS - 1.8 - G <small>1 2 3 4 5</small>	
1 ► SERIES	SW
2 ► SIZE	3
3 ► TIP STYLE	CS
4 ► SPRING FORCE AT SWITCH	1.8 oz.
5 ► PLUNGER PLATING	G GOLD

► SIZE 4 SWITCH PROBE SERIES

0.156 (3.96) Centers

For R-4-CR Series Receptacles see pg. 73



PROBE SPECIFICATIONS

Minimum Centers	0.156 (3.96)
Current Rating	3 A continuous
Spring Force	4.80 oz (136 g) @ 0.120 (3.05) travel
Preload Force	2.50 oz (71 g)
Maximum Travel	0.160 (4.06)
Working Travel	0.120 (3.05)
Travel to Switch Point	0.107 (2.72)
Spring Force at Switch Point	4.40 oz. (125 g)

MATERIALS

Barrel	Nickel/silver, gold plated
Spring	Stainless steel
Plunger	Beryllium copper, nickel plated
Insulator	Delrin
Contact	Beryllium copper, gold plated

HOW TO ORDER

SW - 4 - C - 4.4 - EN

1 2 3 4 5

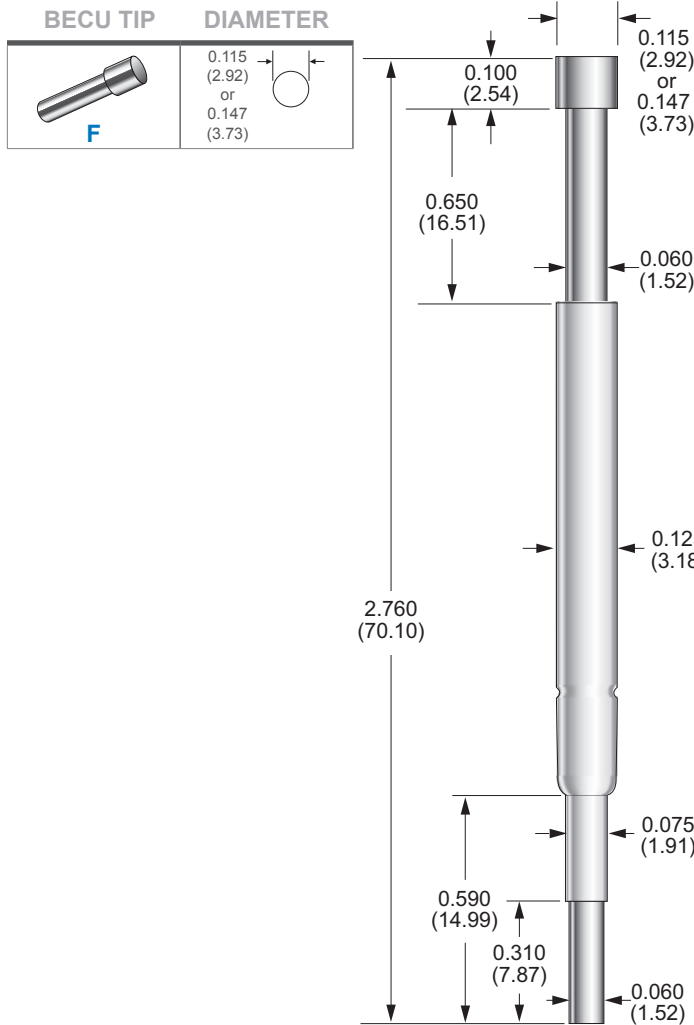
1 ► SERIES	SW
2 ► SIZE	4
3 ► TIP STYLE	C
4 ► SPRING FORCE AT SWITCH	4.4 oz.
5 ► PLUNGER PLATING	EN NICKEL

1. The size 3 switch probe shown does not require a receptacle. The barrel of the switch probe is designed to mount directly in the mounting plate.
 Dimensions are in inches (mm) | All specifications are subject to change

► **SIZE 5 SWITCH PROBE SERIES**

0.187 (4.75) Centers

For R-5-SW Series Receptacles see pg. 74



PROBE SPECIFICATIONS

Minimum Centers	0.187 (4.75)
Current Rating	3 A continuous
Spring Force	8.60 oz (244 g) or 20.40 oz (579 g) @ 0.137 (3.48) travel
Preload Force	1.80 oz (51 g) (8.60 oz spring/stainless steel) 5.20 oz (148 g) (20.40 oz spring/music wire)
Maximum Travel	0.190 (4.83)
Working Travel	0.137 (3.48)
Travel to Switch Point	0.030 (0.76)
Spring Force at Switch Point	4.00 oz. (113 g) (8.60 oz spring/stainless steel) or 10.30 oz. (293 g) (20.40 oz spring/music wire)

MATERIALS

Barrel	Nickel/silver, silver plated
Spring	Music wire or stainless steel
Plunger	Beryllium copper, nickel plated
Insulator	Delrin
Contact	Beryllium copper, nickel plated

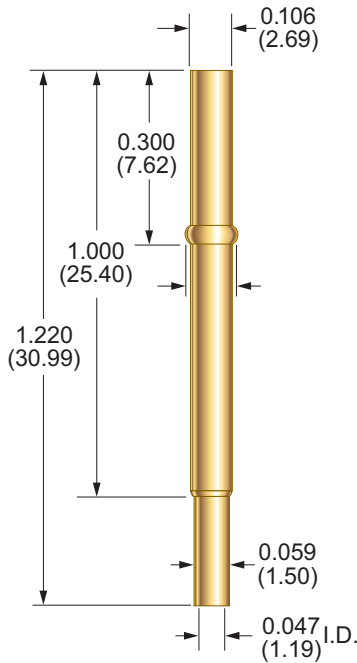
HOW TO ORDER

SW - 5 - F - 4 - EN - 115	
1 2 3 4 5 6	
1 ► SERIES	SW
2 ► SIZE	5
3 ► TIP STYLE	F
4 ► SPRING FORCE AT SWITCH	4 oz. 10.3 oz.
5 ► PLUNGER PLATING	EN NICKEL
6 ► HEAD DIAMETER	115 0.115 IN. 147 0.147 IN.

► **R-4-CR SERIES**

0.156 (3.96) Centers

For Size 4 Switch Probes see pg. 40



PROBE SPECIFICATIONS

Minimum Centers	0.156 (3.96)
Drill Size	#35
Mounting Hole Size	0.108/0.110 (2.74/2.79)
Materials	Nickel/silver, gold plated

TOOLS

Insertion Tool	RT-4
----------------	------

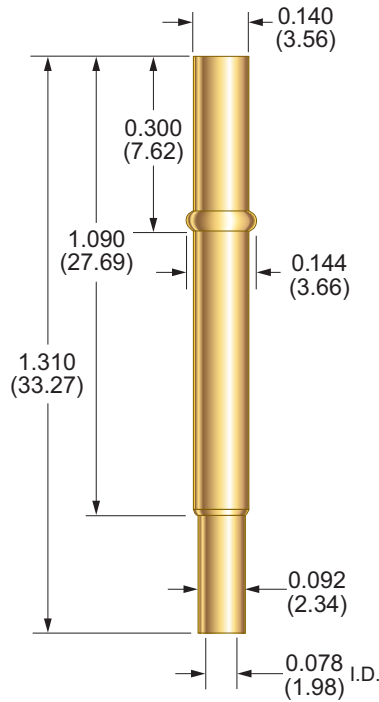
HOW TO ORDER

		R - 4 - CR
		1 2 3
1 ► SERIES		R
2 ► SIZE		4
3 ► TERMINATION		CR CRIMP

► R-5-SW SERIES

0.187 (4.75) Centers

For Size 5 Switch Probes see pg. 41



PROBE SPECIFICATIONS

Minimum Centers	0.187 (4.75)
Drill Size	3.60 mm
Mounting Hole Size	0.141/0.143 (3.58/3.63)
Materials	Nickel/silver, gold plated

TOOLS

Insertion Tool	RT-5
----------------	------

HOW TO ORDER

		R - 5 - SW
		1 2 3
1 ► SERIES		R
2 ► SIZE		5
3 ► TERMINATION		SW SWITCH